

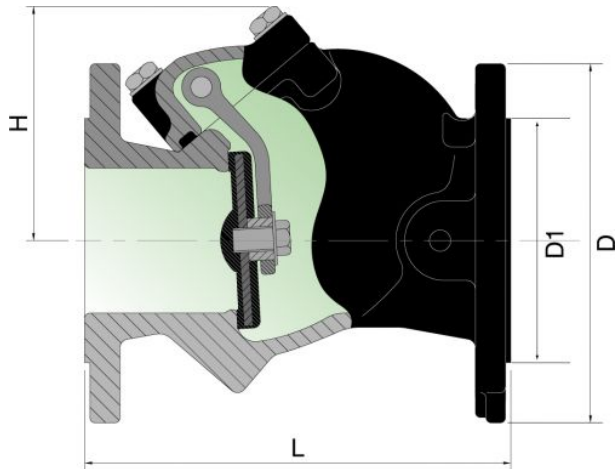
- Flanged and Drilled to BS 4504 PN 16
- Resilient Seated Disk
- Epoxy Coated Ductile Iron Body
- Face to Face Dimensions to BS 5153 : 1974 (1991) short
- WRAS Approved

## Pressure/Temperature Rating

Manufactured in accordance with BS 5153  
 Maximum Temperature: 70°C @ 16 bar

## Test Pressures (Hydraulic)

Shell: 24 bar  
 Seat 17.6 bar



## Materials

Part	Material	BS
Body	Ductile Iron GGG-50	BS EN 1564
Body/Bonnet Seal	EPDM	
Bonnet	Ductile Iron GGG-50	BS EN 1564
Bushing	DZR Brass	BS 2874 - CZ132
Disk Assembly	Steel fully encapsulated in EPDM	BS 4360 1979 43B
Hinge	Ductile Iron GGG-50	BS EN 1564
Hinge Pin	Stainless Steel	BS 970 Gr 431 S29
Nuts and Bolts	Stainless Steel	BS 2874 - CZ114
Seat	Integral with the body	

## Dimensions & Weights

DN (mm)	80	100	150	200
L (mm)	241	292	356	495
H (mm)	140	150	195	230
D (mm)	200	220	285	340
D1 (mm)	138	158	212	268